

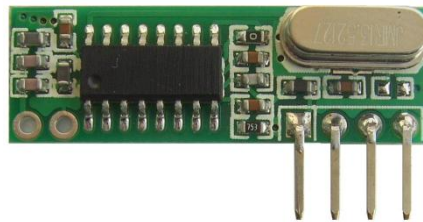


Type: ASK/OOK Super-Heterodyne Receiver Module

Model: CY65-XXX

Description:

The CY65 is a super heterodyne wireless receiving module. This module adopts the highly integrated RF wireless data transmission receiving chip, which is a high cost performance of the receiving module of ISM frequency band. It has higher receiver sensitivity, compact small size, and low price. CY65 makes some low-end products can get rid using super-regenerative because of the limitation of price reason. This module also improves the stability and reliability of low-end wireless products, improve the image of the product quality and enhance the product competitiveness. Any circuit that can be done without additional wireless signal input to the data signal output. Users only need to plus simple data decoding circuit, can easily achieve the development of wireless products.



Order Information:

Model NO.	Frequency
CY65-315	315 MHz
CY65-433	433.92 MHz

Features:

- High sensitivity -110dBm@433.92 1kbps BER10E-2;
- Frequency: 315M/433.92MHz (custom frequency is available)
- Low operation voltage: VCC= 3.6-5.5 V;
- Low Current: 4.8mA. 5V@315MHZ
- Operating Temperature: -20°C~+70°C;

Application

- Remote gate controls
- Remote keyless entry
- Car alarm systems
- Wireless security systems
- Automation systems
- Remote control systems

Pin Description

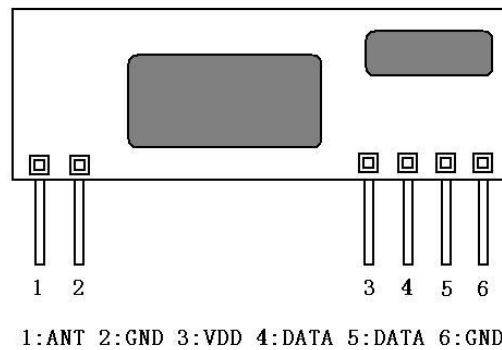


Figure1 CY65 Shape & Pins

Please note: CY65 is come with standard 4 PINs (without PIN 1&2). Please notify us if you would like 6PINs.

Pin Name	Pin Definition
ANT	RF signal input pin, connect antenna outside(Note1)
GND	Connect to negative power supply
VDD	Connect to positive power supply
DATA	Data output pin, connect to MCU or decoder's input pin
DATA	Data output pin, connect to MCU or decoder's input pin
GND	Connect to negative power supply

Note 1: ANT pin is a 50 ohm antenna input. The length is about:



23cm for 315MHz
17cm for 433.92MHz

Electrical Characteristics:

Condition: Ta=25°C Vcc=5.0V Frequency=315MHz

Characteristics	Symbol	Condition	Value			Unit
			Min	Typ	Max	
Frequency	Fc		314.90	315.00	315.10	MHz
Modulation Mode			ASK			
Sensitivity		1Kbps /50Ω		-110		dBm
Data-rate			0.58		4.8	Kbps
Start-up time						
Current	IRC		4.8		6.0	mA
Working Voltage	VCC		3.6	5	5.5	V
Image Rejection						dB
Output High Level		RL=500K	3.6		5	V
Output Low Level					0.5	V
Working Temperature	TC		-20		+70	°C

Condition: Ta=25°C Vcc=5.0V Frequency=433.92MHz

Characteristics	Symbol	Condition	Value			Unit
			Min	Typ	Max	
Frequency	Fc		433.82	433.92	434.02	MHz
Modulation Mode			ASK			
Sensitivity		1Kbps /50Ω		-110		dBm
Data-rate			0.58		4.8	Kbps
Start-up time						
Current	IRC		4.8		6.0	mA
Working Voltage	VCC		3.6	5	5.5	V
Image Rejection						dB
Output High Level		RL=500K	3.6	5	5	V
Output Low Level L					0.5	V
Working Temperature	TC		-20		+70	°C

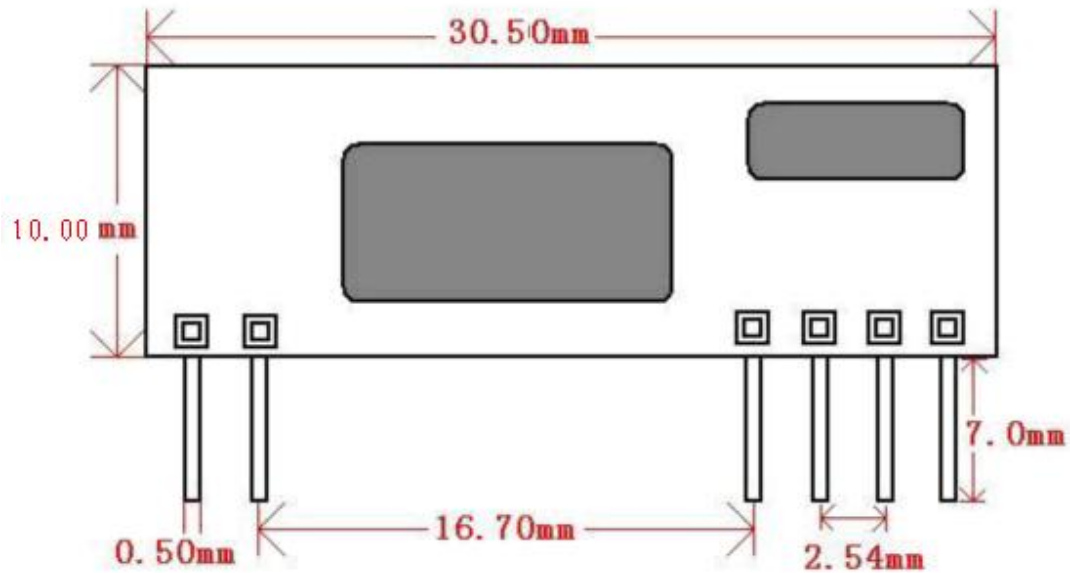
Mechanical Size: (Unit: MM)

Figure2 CY65 Dimension

For more information and assistance, please contact us as follows:

CY WIRELESS TECHNOLOGY LIMITED

Add: Rm 2705, Modern International Building, Jintian Road, Futian District,

Shenzhen, Guangdong Province, China

Website: www.rficy.com

Email: info@rficy.com