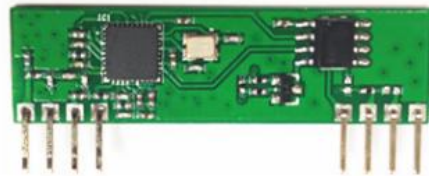




Type: ASK/FSK Super-Heterodyne Receiver Module**Model: CY188-V4.0-XXX**

Description:

CY188-V4.0 wireless receiving module is a high quality receiving module for ISM band wireless data transmission. This module, using ultra-high frequency wireless communication technology, low-noise large-scale integrated circuits, has extremely high cost performance, perfect antistatic protection, and high reliability. It is widely used in remote control garage doors, retractable doors, barriers, GPS vehicle system supporting, industrial control, communication and security fields. This receiver module is ideal for use in complex environments and demanding systems.

**Order Information:**

Model NO.	Frequency	Modulation
CY188-V4.0-315-ASK	315 MHz	ASK
CY188-V4.0-433-FSK	433.92 MHz	FSK

Features:

- High sensitivity: -118dBm;
- Frequency: 315M/433.92MHz
- Date rate: 1K~20K (Type value is 2.4K, please inform us in advance if higher date rate is requested);
- Modulation: ASK/ FSK available
- Working voltage: VCC= 2.4-5.5 V
- 5V@11mA (the current could be down to less than 1mA in energy saving mode)
- Operating Temperature: -40°C ~ +85°C, can work normally even in the harsh environment temperature.
- Good selectivity and stray radiation inhibition ability
- Dimension: 43.2*11.8*2.5mm

Application

- Car Remote Door Switch (RKE)
- Car PEPS One-Key Keyless Start
- Remote Control Door Opener, Barrier
- Wireless Security Alarm
- Remote Control Curtain Machine
- Wireless Industrial Controller
- Wireless Parking Lock

Pin Description

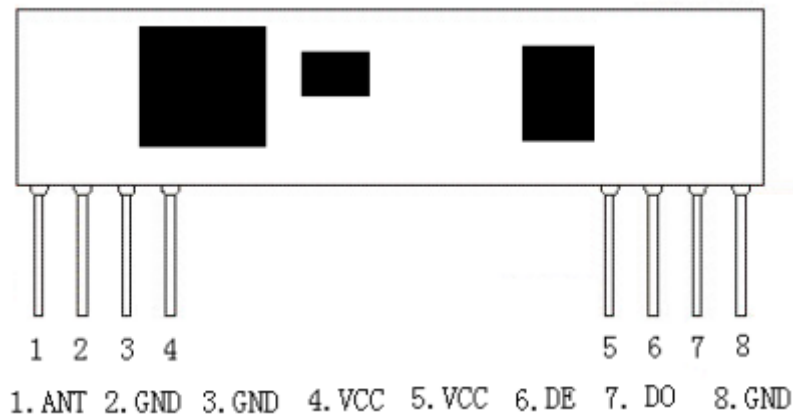


Figure1 CY188-V4.0 Shape & Pins

PIN	Pin Name	Pin Definition
1	ANT	Antenna input
2	GND	Ground
3	GND	Ground
4	VDD	Positive Power Supply
5	VDD	Positive Power Supply
6	DE	Optional: 1. Data Output (default setting) 2. Energy saving mode (sleeping at low level); (optional)



7	DO	Data output
8	GND	Ground

Electrical Characteristics:

Condition: Ta=25°C Vcc=5.0V Frequency=315MHz

Parameter	Specification			Unit	Condition
	Min	Typ.	Max		
Frequency range	314.90	315.00	315.10	MHz	
Modulation	ASK/FSK				
Receiver Sensitivity		-118		dBm	50Ohm Antenna direct input/1K Kbps
Receiver Data Rate		2.4K	20K	Kbps	
Receiver Bandwidth		200		KHz	
Working Current	10	11	12	mA	
Working Voltage	2.4	5.0	5.5	V	
Working Temperature	-40	25	+85	°C	

Condition: Ta=25°C Vcc=5.0V Frequency=433.92MHz

Parameter	Specification			Unit	Condition
	Min	Typ.	Max		
Frequency range	433.82	433.92	434.02	MHz	
Modulation	ASK/FSK				
Receiver Sensitivity		-118		dBm	50Ohm Antenna direct input/1K Kbps
Receiver Data Rate		2.4K	20K	Kbps	
Receiver Bandwidth		200		KHz	
Working Current	10	11	12	mA	
Working Voltage	2.4	5.0	5.5	V	RL=500K
Working Temperature	-40	25	+85	°C	

Precaution

The driving current of the data output pin of CY188-V4.0 module is relatively weak. If the MCU is driven directly, the I / O port of the microcontroller cannot be connected to a pull-up or pull-down resistor, and the internal pull-up or pull-down resistor of the microcontroller must also be set in a disabled state.

Mechanical Size: (Unit: MM)

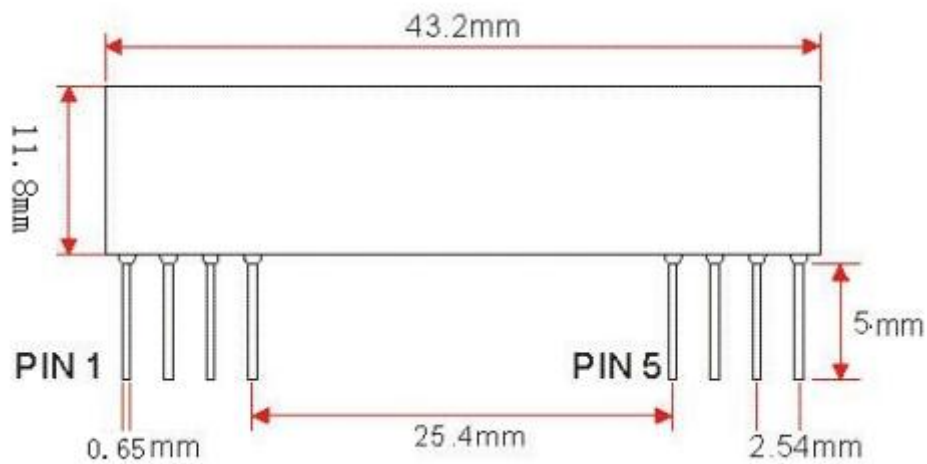


Figure2 CY188-V4.0 Dimension

For more information and assistance, please contact us as follows:

CY WIRELESS TECHNOLOGY LIMITED

Add: 2705, Modern International Building, Jintian Road, Futian District,

Shenzhen, Guangdong Province, China

Website: www.rficy.com

Email: info@rficy.com